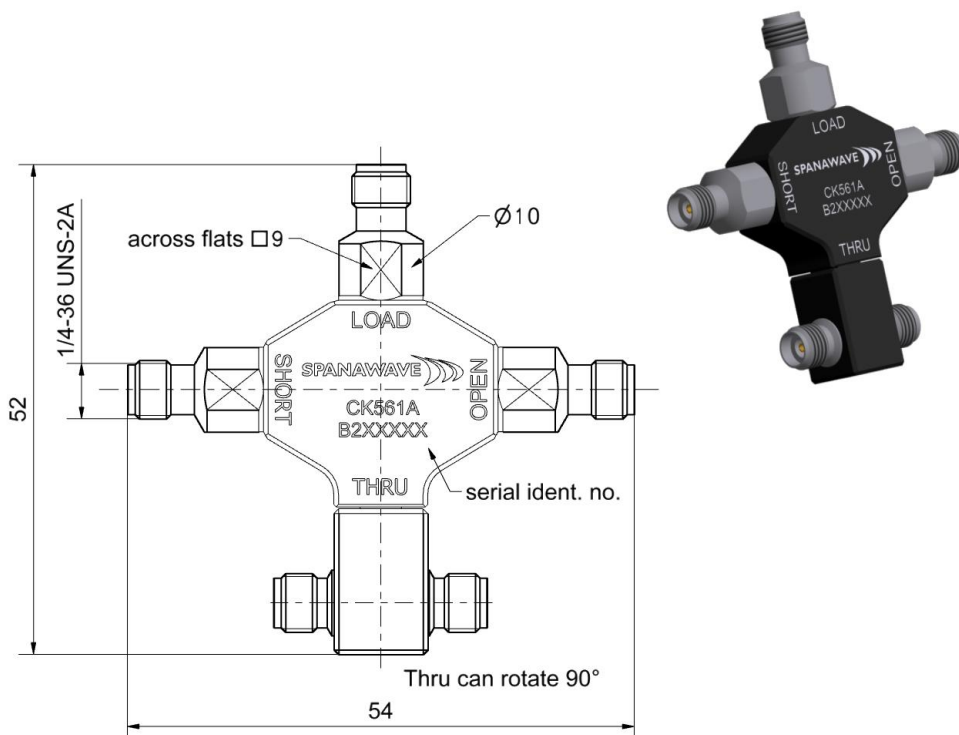


CK561A: 4-in-1 OSLT Calibration Kit, DC to 40 GHz, 2.92 mm (f)



Interface

According to 2.92 mm (f)
 Mechanically compatible with 3.5 mm and SMA

Contents and Documentation

- This kit is delivered with
- **Standard Definitions Card**
 Printed Standard Definitions that can be used on nearly all Vector Network Analyzers
 - **Test Results Documentation**
 - **Hard Shell Case**

Material and plating

Connector parts
 Center conductor
 Outer conductor
 Body
 Dielectric
 Substrate

Material	Plating
Beryllium copper	Gold, min. 1.27 µm, over nickel
Stainless steel	Passivated
Aluminum	black anodized
PS	
Al ₂ O ₃	

CK561A: 4-in-1 OSLT Calibration Kit, DC to 40 GHz, 2.92 mm (f)

Electrical data

Frequency range	DC to 40.0 GHz
Thru	
Return loss	≥ 32 dB, DC to 4 GHz ≥ 30 dB, 4 GHz to 26.5 GHz ≥ 28 dB, 26.5 GHz to 40 GHz
Open	
Error from nominal phase ¹	$\leq 1.5^\circ$, DC to 4 GHz $\leq 4.0^\circ$, 4 GHz to 26.5 GHz $\leq 5.0^\circ$, 26.5 GHz to 40.0 GHz
Short	
Error from nominal phase ²	$\leq 1.5^\circ$, DC to 4 GHz $\leq 4.0^\circ$, 4 GHz to 26.5 GHz $\leq 5.0^\circ$, 26.5 GHz to 40.0 GHz
Load	
Return loss	≥ 40.0 dB, DC to 4 GHz ≥ 28.0 dB, 4 GHz to 26.5 GHz ≥ 25.0 dB, 26.5 GHz to 40.0 GHz
DC Resistance	$50 \Omega \pm 0.5 \Omega$
Power handling	≤ 0.5 W

¹ The nominal phase is defined by the Offset Delay, the Offset Loss and the Fringing Capacitances

² The nominal phase is defined by the Offset Delay, the Offset Loss and the Short Inductance

Mechanical data

Mating cycles	≥ 500
Maximum torque	1.70 Nm
Recommended torque	0.90 Nm
Gauge	0.00 mm to 0.08 mm

General standard definitions

For proper operation the vector network analyzer (VNA) needs a model describing the electrical behavior of this calibration standard. The different models, units, and terms used will depend on the VNA type and they will have to be entered into the VNA. All values are based on typical geometry and plating.

Thru

Offset Z_0 / Impedance / Z_0	50 Ω
Offset Delay	65.712 ps
Length (electrical) / Offset Length	19.70 mm
Offset Loss	2.70 G Ω /s
Loss	0.0154 dB/ $\sqrt{\text{GHz}}$
Line Loss @ 1GHz	0.0008 dB/mm

Open

Offset Z_0 / Impedance / Z_0	50 Ω
Offset Delay	28.353 ps
Length (electrical) / Offset Length	8.50 mm
Offset Loss	2.40 G Ω /s
Loss	0.0118 dB/ $\sqrt{\text{GHz}}$
Fringing Capacitances	$C_0 = -4.30000 \times 10^{-15}$ F / -4.30000 fF $C_1 = 431.000 \times 10^{-27}$ F/Hz / 0.43100 fF /GHz $C_2 = -11.5000 \times 10^{-36}$ F/Hz ² / -0.01150 fF /GHz ² $C_3 = 0.12000 \times 10^{-45}$ F/Hz ³ / 0.00012 fF /GHz ³

CK561A: 4-in-1 OSLT Calibration Kit, DC to 40 GHz, 2.92 mm (f)

Short

Offset Z_0 / Impedance / Z_0	50 Ω		
Offset Delay	28.353 ps		
Length (electrical) / Offset Length	8.50 mm		
Offset Loss	2.40 G Ω /s		
Loss	0.0118 dB/ $\sqrt{\text{GHz}}$		
Short Inductance	$L_0 = 0.0000 \times 10^{-12}$ H	/	0.0000 pH
	$L_1 = 0.0000 \times 10^{-24}$ H/Hz	/	0.0000 pH/GHz
	$L_2 = 0.0000 \times 10^{-33}$ H/Hz ²	/	0.0000 pH/GHz ²
	$L_3 = 0.0000 \times 10^{-42}$ H/Hz ³	/	0.0000 pH/GHz ³

Load

Offset Z_0 / Impedance / Z_0	50 Ω
Offset Delay	0.0000 ps
Length (electrical) / Offset Length	0.000 mm
Offset Loss	0.00 G Ω /s
Loss	0.0000 dB/ $\sqrt{\text{GHz}}$

Environmental data

Operating temperature range ³	+20 °C to +26 °C
Rated temperature range of use ⁴	0 °C to +50 °C
Storage temperature range	-40 °C to +85 °C
RoHS	compliant

³ Temperature range over which these specifications are valid.

⁴ This range is underneath and above the operating temperature range, within the calibration kit is fully functional and could be used without damage

Includes

Standard delivery for this kit includes Test Results. The documentation issued reports which quantities were tested individually, traceable to national / international standards. Model based standard definitions of the calibration standards are reported in Agilent / Keysight, Rohde & Schwarz and Anritsu compatible VNA format.

Calibration interval

Recommendation	12 months
----------------	-----------

Packing

Standard	1 per bag
Weight	1.31 oz.

While the information has been carefully compiled to the best of our knowledge, nothing is intended as representation or warranty on our part and no statement herein shall be construed as recommendation to infringe existing patents. In the effort to improve our products, we reserve the right to make changes judged to be necessary.